



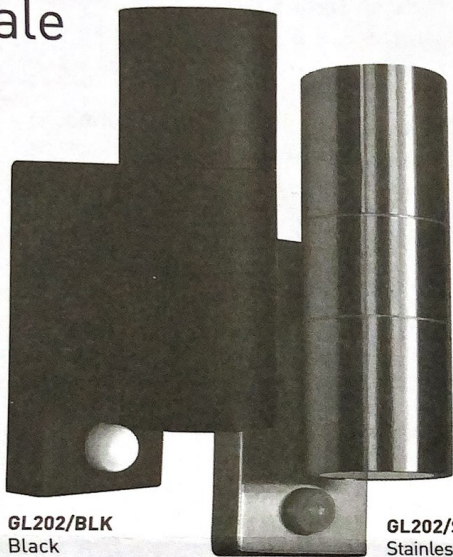
WALL LIGHT ASSEMBLY & FITTING INSTRUCTIONS

GL202

Vale

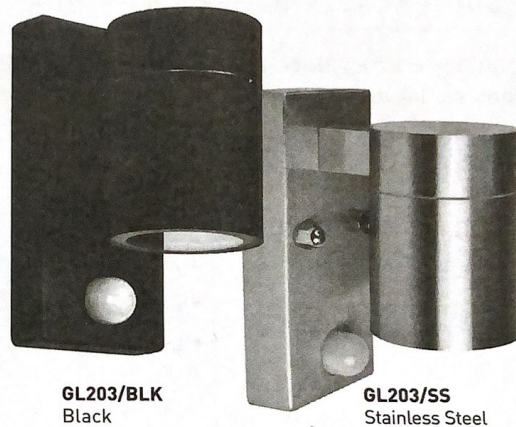
GL203

Bransford



GL202/BLK
Black

GL202/SS
Stainless Steel



GL203/BLK
Black

GL203/SS
Stainless Steel



Please read these instructions carefully before attempting to install this light.

It is advisable to keep these instructions in a safe place for future reference. If this light is installed by a contractor, the contractor should ensure that the customer has a copy of these instructions.

Specification

	GL202	GL203
Voltage:	230V AC	230V AC
Lamp Base:	2 x GU10 (Max. 2 x 35W)	GU10 (Max. 35W)
Weather Resistance:	IP44	IP44
Electrical Safety:	BSEN60598 (Relevant clauses)	BSEN60598 (Relevant clauses)
Mounting Height:	1.4 to 1.9 metres	1.4 to 1.9 metres
Photocell Operation:	Activates in hours of darkness only	Activates in hours of darkness only
PIR Detection Range:	8m, 90°	8m, 90°
Lux Control:	10 Lux	10 Lux

Lamp Specification

	GL202	GL203
Wattage:	2 x 5W	5W
Lamp Base:	2 x GU10	GU10
Colour Temp:	3000K	3000K
Lumens:	2 x 495lm	495lm

These products are supplied with light sources of energy efficiency class E. Replaceable light source by end user.

If you experience any difficulty installing this product please call the

GL Helpline on 01905 610200 during office hours, 8.30am to 4.30pm

Installation

Ensure electricity is switched off at the mains before installing or maintaining this wall light.

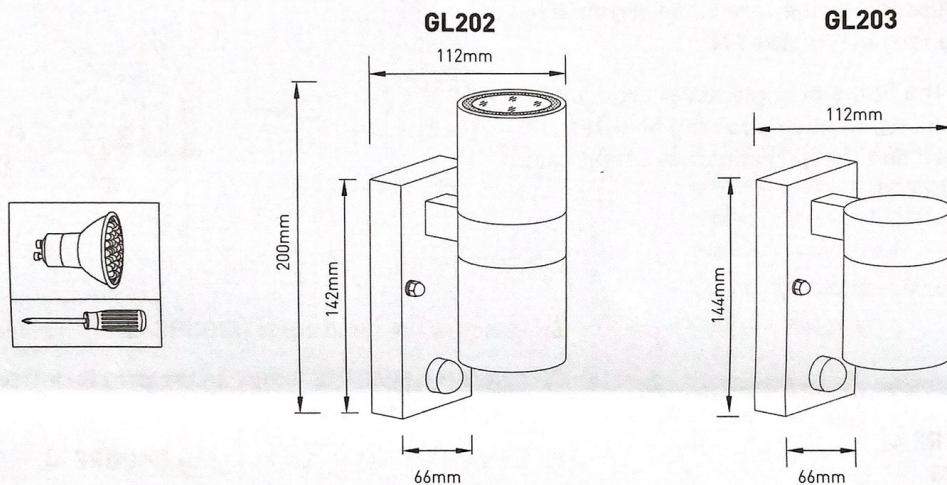
This fitting conforms to UK safety standards.

THIS FITTING MUST BE INSTALLED IN ACCORDANCE WITH CURRENT IEE WIRING REGULATIONS AND BUILDING REGULATIONS (PART P).

ENSURE THERE IS NO REFLECTIVE SURFACE CLOSE TO THE DAYLIGHT SENSOR LOCATED AT THE TOP OF THE FITTING AND ALLOW ADEQUATE SUNLIGHT TO THE PHOTOCELL.

IF YOU ARE IN ANY DOUBT, CONSULT A QUALIFIED ELECTRICIAN.

Please note: For new installations, check for any electrical cables or pipe work (gas/water) in the vicinity of the intended mounting point for the product, before proceeding with the installation.



1. Remove the back plate by unscrewing dome nuts on front of the wall light, taking care not to damage the weather proof gasket (**FIGURE 1**).
2. Use the back plate as a template and mark the positions for the two fixing holes and cable entry hole, if they do not exist already. If fixing to masonry, drill holes 25mm deep and insert masonry plugs so they are flush with the surface (**FIGURE 2**).

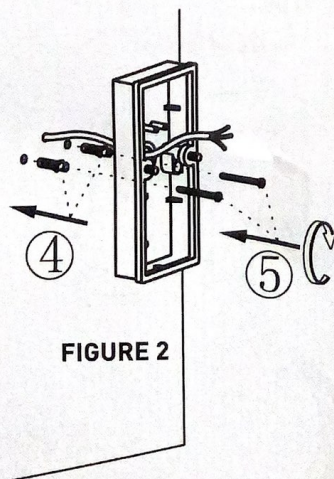


FIGURE 2

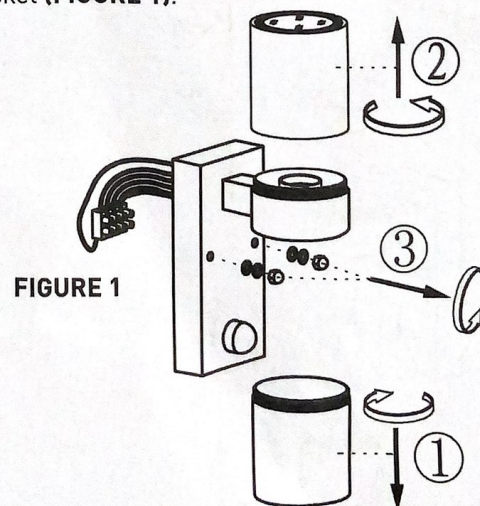


FIGURE 1

3. Ensuring the hex screw bolts protrude from the front, fix the back plate to the mounting service, using fixing screws provided (**FIGURE 2**).

Installation

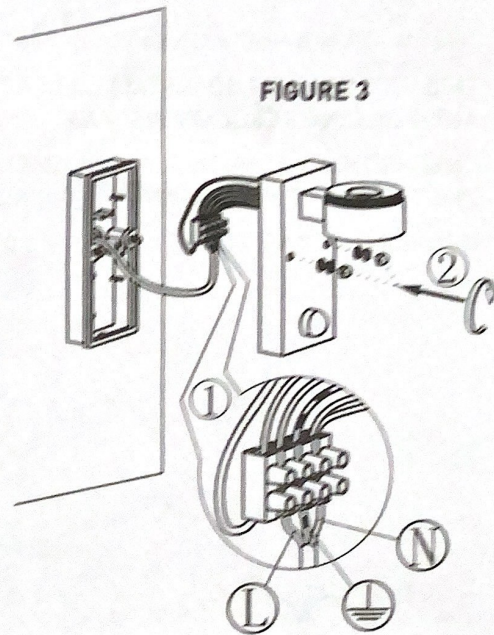
4. Connect the mains supply cable to the terminal block using the following colour code for the wiring (FIGURE 3):

Connect the wire coloured Brown (Live) to the corresponding Brown wire in the terminal block, or the terminal marked L.

Connect the wire coloured Green/Yellow (Earth) to the corresponding Green/Yellow wire in the terminal block, or the terminal marked \perp .

Connect the wire coloured Blue (Neutral) to the corresponding blue wire in the terminal block, or the terminal marked N.

5. Slide the fitting over the hex screws and secure with the dome nuts, ensuring no wires are trapped and the gasket makes a tight seal (FIGURE 3).



6. Unscrew the lamp cover (FIGURE 4).
7. Insert the 6W GU10 lamps and rotate clockwise to lock in place (FIGURE 4).
8. Screw on the lamp cover tightly (FIGURE 4).
9. Turn on the mains supply.

FIGURE 4
GL202

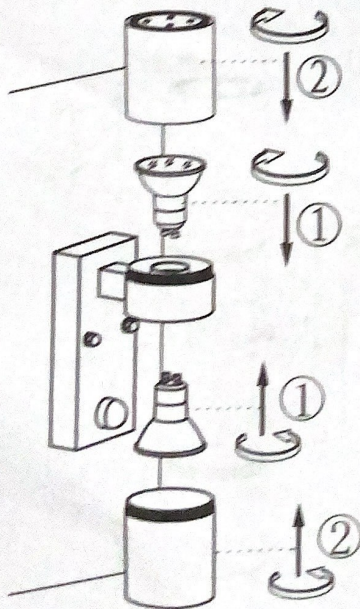
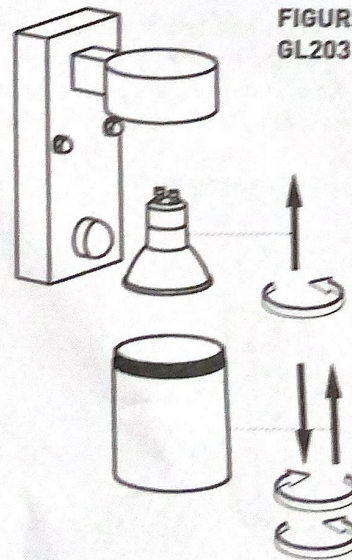


FIGURE 4
GL203



Note: Do not use this fitting if it is damaged. Make sure the fitting is fixed securely.

IF IN ANY DOUBT CONSULT A QUALIFIED ELECTRICIAN.

Functionality

These wall lights have a built in Photocell and PIR. This means that the light is only on at night and when it detects movement.

When the ambient light drops below 10 lux, the light will move into its active setting.

Now, when movement is detected in its 8m range the light will come on for 60 seconds, before automatically turning back off. When it gets brighter outside, the PIR deactivates, ensuring the wall light is not on during the day.

Troubleshooting

Should you experience any difficulties check the faults below before calling the GL Helpline. When replacing the lamp or servicing the fitting turn the power off at the mains.

Fault	Possible Cause	Solution
Unit will not work at all	<ul style="list-style-type: none">• No power• Area too bright• Faulty unit• Lamp not fitted correctly	<ul style="list-style-type: none">• Check power and fuse• Cover the daylight sensor with a black cloth or black insulation tape and switch on• Ensure the lamp is fitted correctly• Call the Helpline
Unit flashes continuously	<ul style="list-style-type: none">• Reflective surface affecting the photocell• Re-position wall light e.g. lighting nearby• Faulty photocell	<ul style="list-style-type: none">• Re-position wall light if required• Call the Helpline
Unit on all the time	<ul style="list-style-type: none">• Fitting wrongly wired• Daylight sensor is being covered• Faulty electronic unit• Inadequate sunlight to the photocell	<ul style="list-style-type: none">• Switch off for 30 seconds• Reposition wall light and check it is fitted correctly then restart• Call the Helpline

Should you experience any difficulty when installing this product, please call the

GL Helpline on 01905 610200

during normal office hours 8:30am to 4:30pm, Monday to Friday.

Please note that this equipment and its components have NO user serviceable parts.

GL tries to improve its products for the benefit of its customers. For this reason we reserve the right to make any changes to any product at any time, without notice.

Green Lighting Instructions GL202 & GL203 Wall Light with PIR and Photocell.

© GL www.gl-e.uk